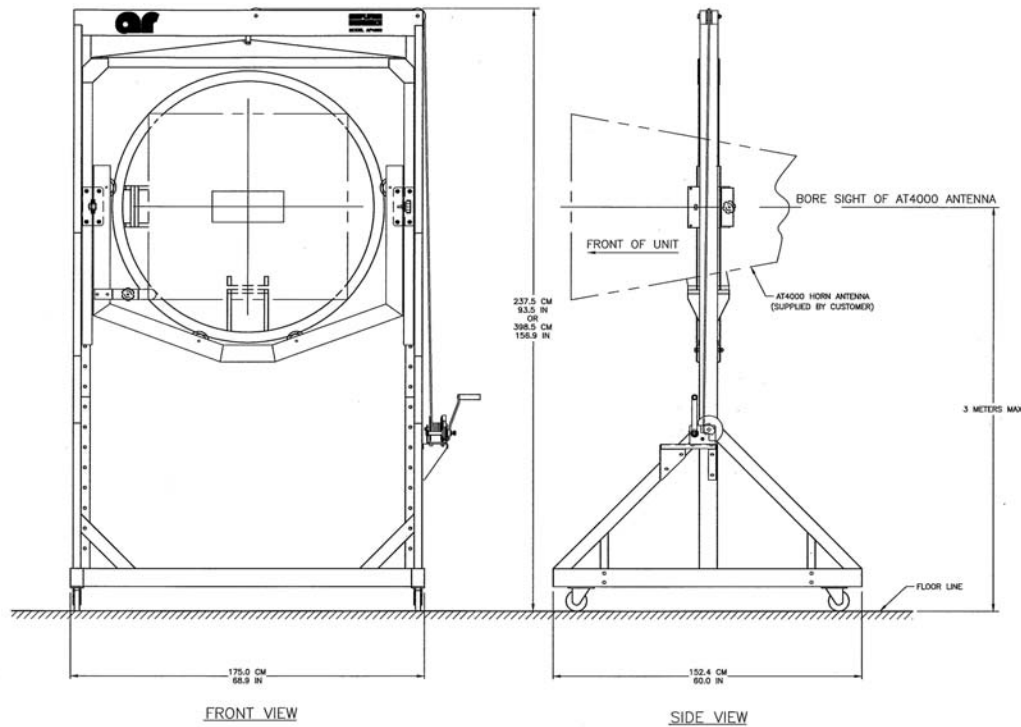


**Model AP4000, M1  
Antenna Positioner**

The Model AP4000 Antenna positioner is a heavy duty support and positioner for the AR RF/Microwave Instrumentation AT4000, 200 to 1000MHz high-gain horn antenna. Built on wheels for easy movement in a shielded room or open site testing, the AP4000 allows the test engineer to rotate the antenna for either vertical or horizontal polarization as well as permitting the antenna to be tilted  $\pm 30$  degrees. The height can be raised from the floor to the centerline of the antenna in 10 cm. increments to as high as 2 meters for the AP4000 and 3 meters for the AP4000M1. It can be lowered to 1 meter from the floor to the centerline. The AT4000 high-gain horn antenna (supplied separately) weighs 46kg. (100 lbs.) and measures (W x H x D) 109.2 x 145.8 x 175.3 cm. (43.0 x 57.4 x 69.0 in.) and is made more versatile and easier to use by mounting it in the AP4000. The dimensions of the AP4000 are shown below. The primary structure of the AP4000 is constructed of finely finished natural wood and the weight of the unit without the AT4000 is approximately 156.5kg (345lb.)



| MODEL CONFIGURATION |                                 |                   |
|---------------------|---------------------------------|-------------------|
| Model Configuration | Max Bore Sight Height of AT4000 | Weight            |
| AP4000              | 2 meters from floor             | 156.5kg (345 lbs) |
| AP4000M1            | 3 meters from floor             | 161kg (355 lbs)   |

**CAUTION:** The antenna positioner has zero (0) wind tolerance. The customer must supply Kevlar restraining cables for added stability during outdoor use.