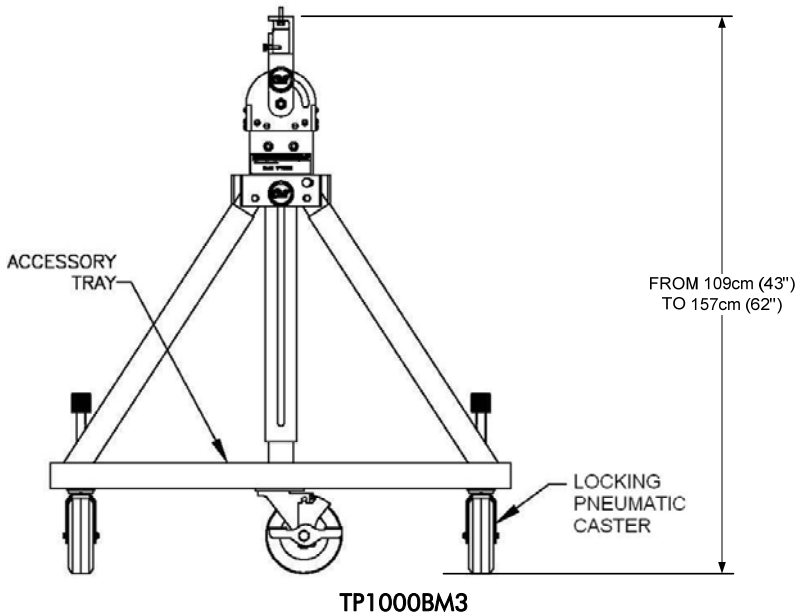
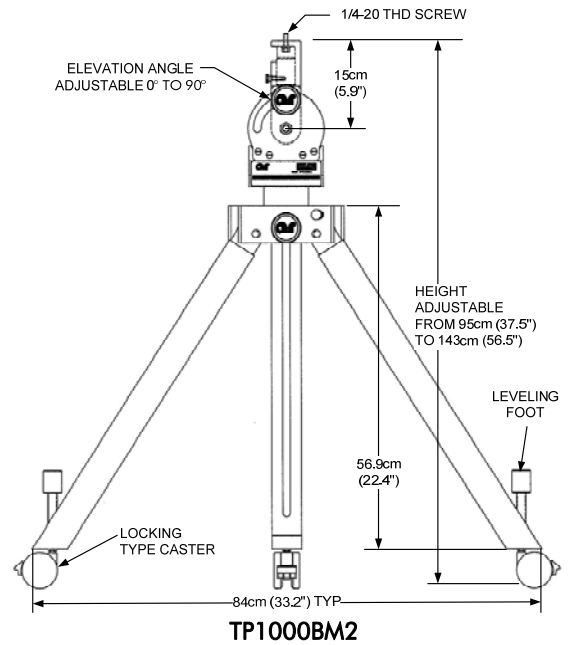
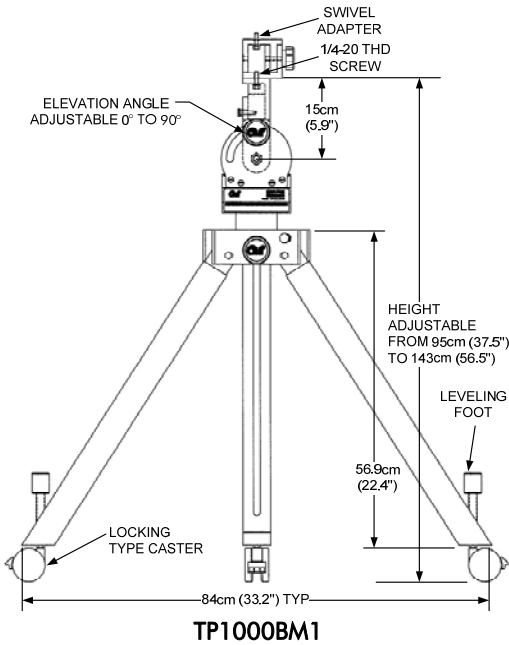


MODEL CONFIGURATIONS

Model Number	Description
TP1000B	Without locking caster
TP1000BM1*	With locking casters and additional swivel adaptor head
TP1000BM2*	With locking casters; without swivel adaptor head
TP1000BM3**	With removable accessory tray and pneumatic casters.

*M1 and M2 versions are 6.6 cm (2.6 in) higher due to added height of casters.

**M3 is 20.6 cm (8.1 in) higher than standard model due to accessory tray and pneumatic casters.



Antenna Compatibility Chart for TP1000B

Interface Directly	Requires listed TM* to Interface	*TM's sold Separately
ATL150M1G	ATH7G18	TM2000
ATL80M1G	ATH18G27	TM2001
ATR80M6G	ATH18G27-1	TM2001
ATS700M11G	ATH27G40	TM2002
ATE10K30M	ATH27G40-1	TM2002
ATE10K100M	ATH18G40	TM2003
ATH400M1G	ATH2G8	TM2004
ATH1G4	ATH33G50	TM2005
ATH800M5G		
ATH4G8		
ATH2G10		
ATH200M2G		
ATH1G18		
ATH2G4		
ATH4G6		
ATH6G8		